



MVM 200
Air pass - 0.0117 m².

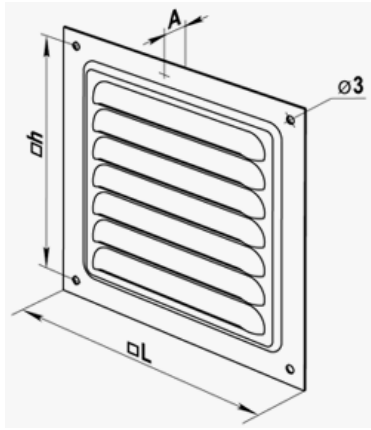
Color scheme

| | | | | | |
|---|---|---|---|---|---|
|  |  |  |  |  |  |
| Beige | Black | Blue | Brown | Grey | White |
| RAL | RAL | RAL | RAL | RAL | RAL |
| 1015 | 9005 | 5005 | 8017 | 7001 | 9016 |

Technical parameters

| Parameter | Value | Unit |
|------------|-----------------|----------------|
| Air pass | 0.0117 | m ² |
| Form | Rectangular | |
| Material | Steel, Aluminum | |
| Adjustment | Non-regulated | |

Dimensions



| A | L | h |
|-----|-----|-----|
| 0.8 | 200 | 182 |