



MVM 250
Air pass - 0.0166 m².

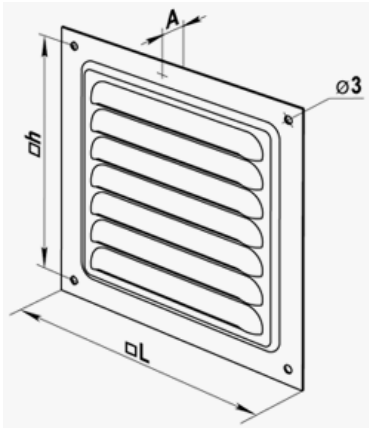
Color scheme

					
Beige	Black	Blue	Brown	Grey	White
RAL	RAL	RAL	RAL	RAL	RAL
1015	9005	5005	8017	7001	9016

Technical parameters

Parameter	Value	Unit
Air pass	0.0166	m ²
Form	Rectangular	
Material	Steel, Aluminum	
Adjustment	Non-regulated	

Dimensions



A	L	h
0.8	250	234